

300mm LED Traffic Lights Model No.: TP300x1XP



Novel design with beautiful appearance
Low power consumption
High efficiency and brightness
Large viewing angle
Long lifespan: 80 000 hours
Multi-layer sealed and waterproof

Product Features

Visual distance: $\geq 600\text{m}$
Housing: Polycarbonate
Exclusive optical lens and good color uniformity
Long viewing distance
Wide temperature: $-40^{\circ}\text{C} \sim +80^{\circ}\text{C}$

Sun visor: Polycarbonate
Target board: Aluminum
CE, IP55, ITE Standard, RoHS,
TUV, UL, EMC, LVD, WEEE,
Swedish standard SS-EN 12368:2006

Technical Parameters:

Article Number	Color	LED Qty	Light Intensity	Wave Length	Viewing Angle L/R	Viewing Angle U/D	Power	Working Voltage	Housing Material
TP200x1XP	Red X	105	$\leq 800\text{cd}$	$625 \pm 5 \text{ nm}$	30°	30°	7W	11-30VDC/VAC 85V-265VAC, 50/60HZ	PC, UV resistant
	Green Arrow	65	$\leq 800\text{cd}$	$505 \pm 2 \text{ nm}$			6W		

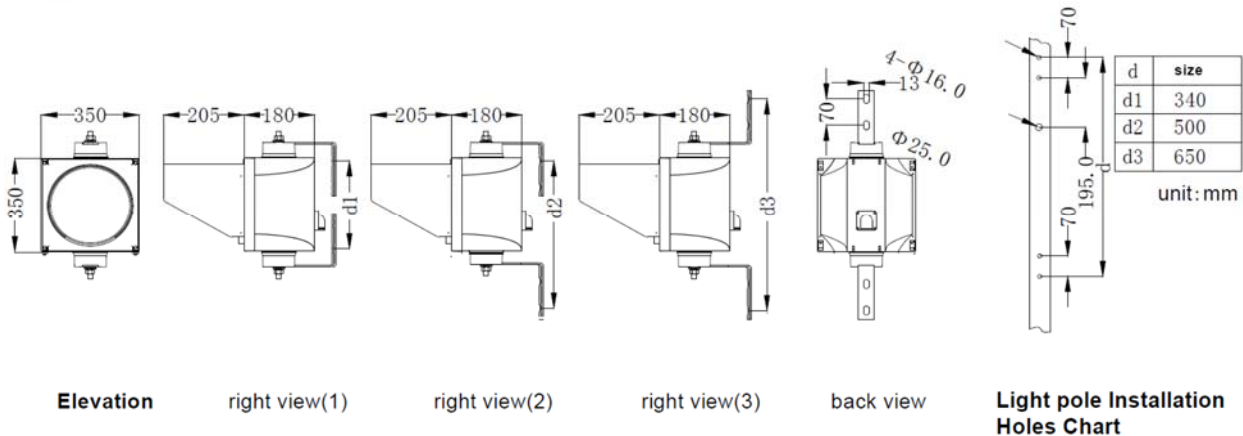
Packing Info:

Carton Size	QTY	GW	NW	Wrapper	Volume (m3)
0,52 * 0,42 * 0,22 m	1 pcs /carton box	3,3 kg	4,5 kg	K=K carton	0,048

Packing List:

Name	Light	L Bracket	Sun Visor	M4×10 Screw	M4×20 Screw	Terminal Cover & Terminal Cover Gasket	Using Manual
Qty. (pcs)	1	2	1	4	4	1	1

Installation Sketch:



Address
Baiona AB
Hagagatan 34
113 47 Stockholm
Sweden
Phone
+46 (0)73-679 35 50

Company headquarters
Stockholm
Bank
Handelsbanken
IBAN
SE78 6000 0000 0005 9016 1881
BIC
HANDSESS

Bankgiro
5456-5197
Organization no
559243-2479
VAT number
SE559243247901
Holds F-tax certificate

Internet
www.ledochled.se
E-mail
info@ledochled.se
Terms & delivery conditions
www.ledochled.se/villkor